
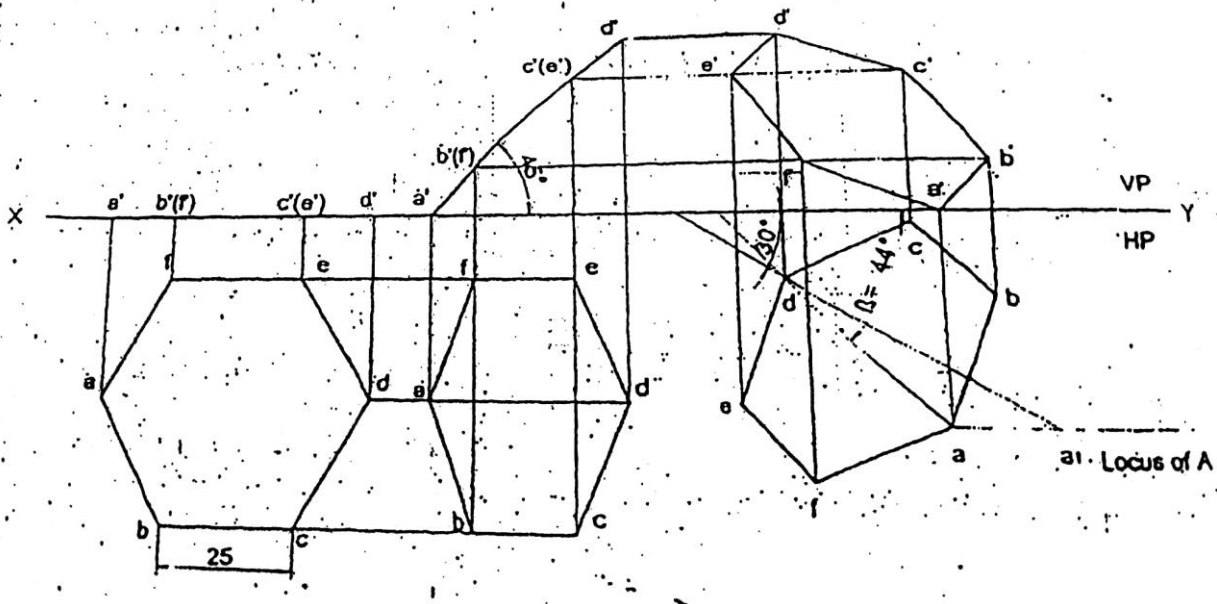
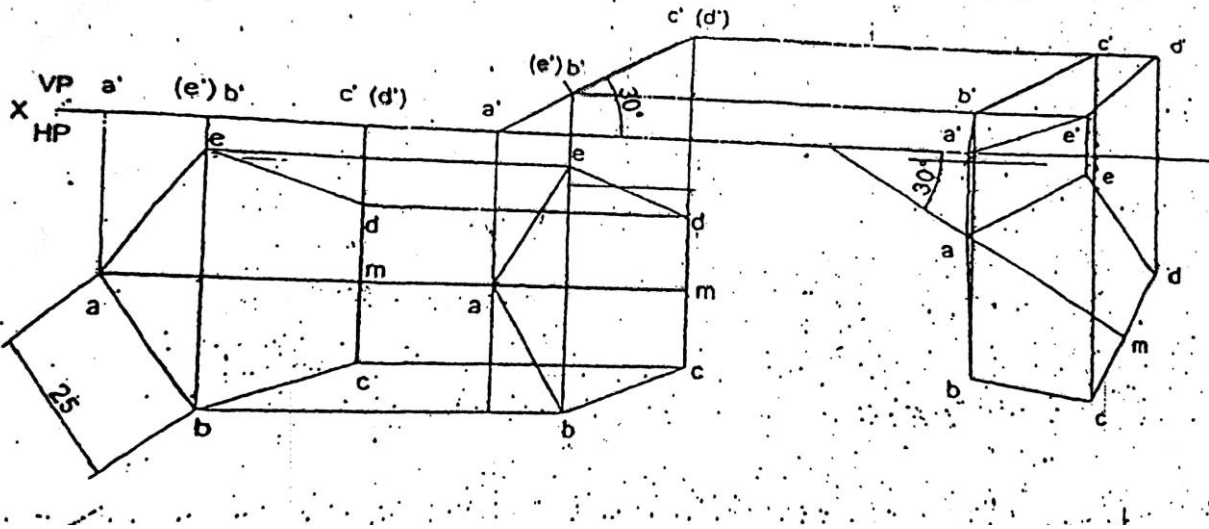


USN	1	P	E							
	PESIT Bangalore South Campus Hosur Road (1km before Electronic City), Bengaluru -560 100 Department of Basic Science and Humanities									

CONTINUOUS INTERNAL EVALUATION TEST -2		
Date	: 4-04-18	Marks: 60
Subject & Code:	CAED & 17CED24	Section: G
Name of faculty	: MAHAMMED QUYAM	
Note: 1. Part A is only for SKETCHING & Part B is only for DRAFTING 2. Answer any one question from each part.		
Part A		
1	A pentagonal lamina of 25mm side is resting on one of its corners on HP while the side opposite to this corner touches VP. If the lamina makes an angle of 30 deg with HP & the perpendicular bisector of the edge passing through the corner on which the lamina rests appears to be inclined at 30 deg with VP. Draw the projections of the lamina.	Marks 20
2	A hexagonal lamina of sides 25mm rests on one of its corner on HP. The lamina makes 45° to HP & the diagonal passing through the corner on which it rests is inclined at 30° to VP. Draw its projections.	20
Part B		
3	A pentagonal prism 25mm sides of base & 50mm axis length rests on HP on one of its corners of the base such that the two base edges containing the corner on which it rests make equal inclinations with HP. Draw the projections of the prism when the axis of the prism is inclined to HP at 40 deg & appears to be inclined VP at 30 deg.	40
4	A hexagonal pyramid 25mm sides of base & 50mm axis length rests on HP one of its corners of the base such that the two base edges containing the corner on which it rests make equal inclinations with HP. Draw the projections of the pyramid when the axis of the pyramid is inclined to HP at 40 deg & inclined to VP at 30 deg.	40

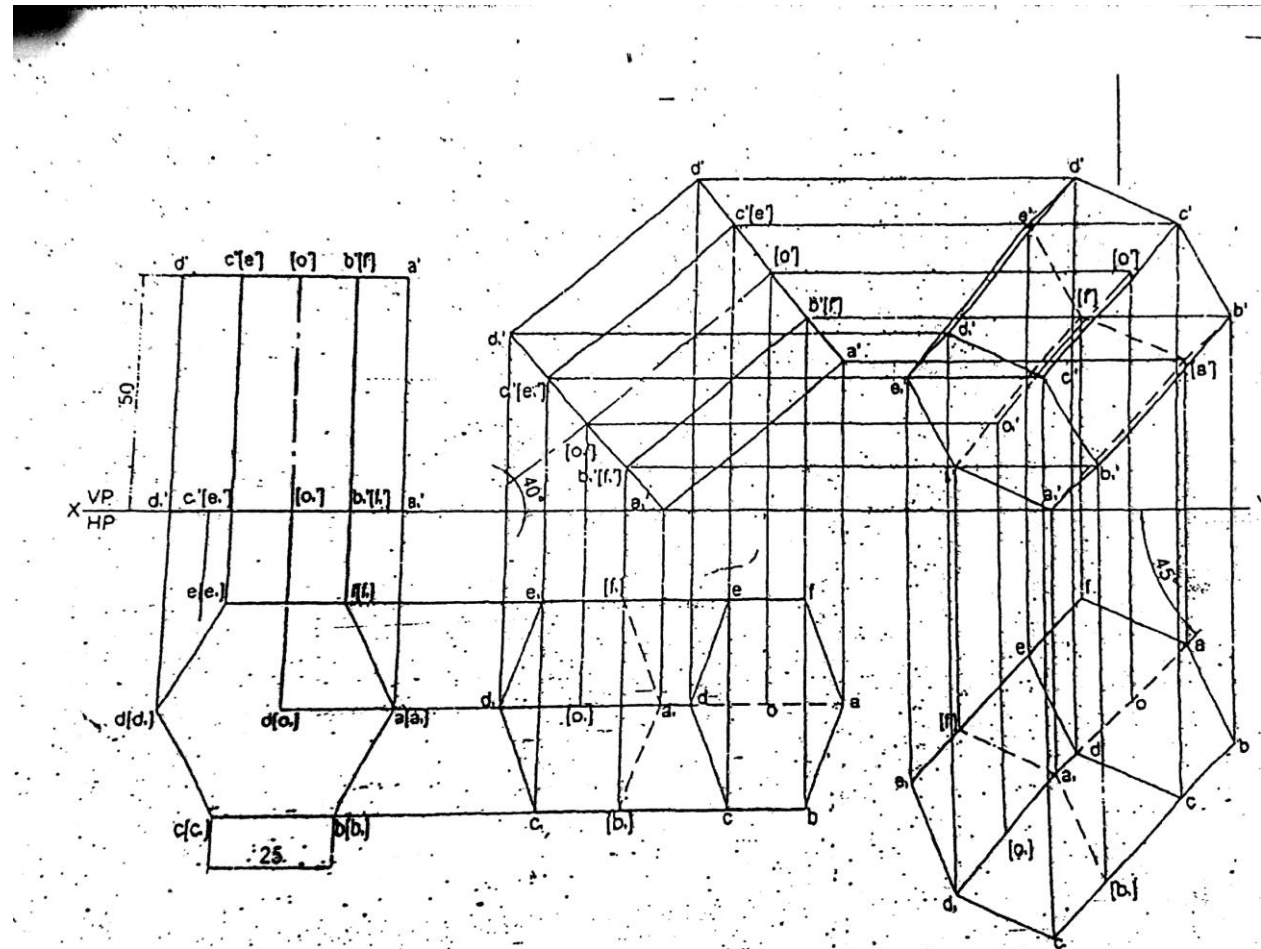


PESIT Bangalore South Campus
 Hosur Road (1km before Electronic City), Bengaluru -560 100
 Department of Basic Science and Humanities





PESIT Bangalore South Campus
 Hosur Road (1km before Electronic City), Bengaluru -560 100
 Department of Basic Science and Humanities





PESIT Bangalore South Campus
Hosur Road (1km before Electronic City), Bengaluru -560 100
Department of Basic Science and Humanities

