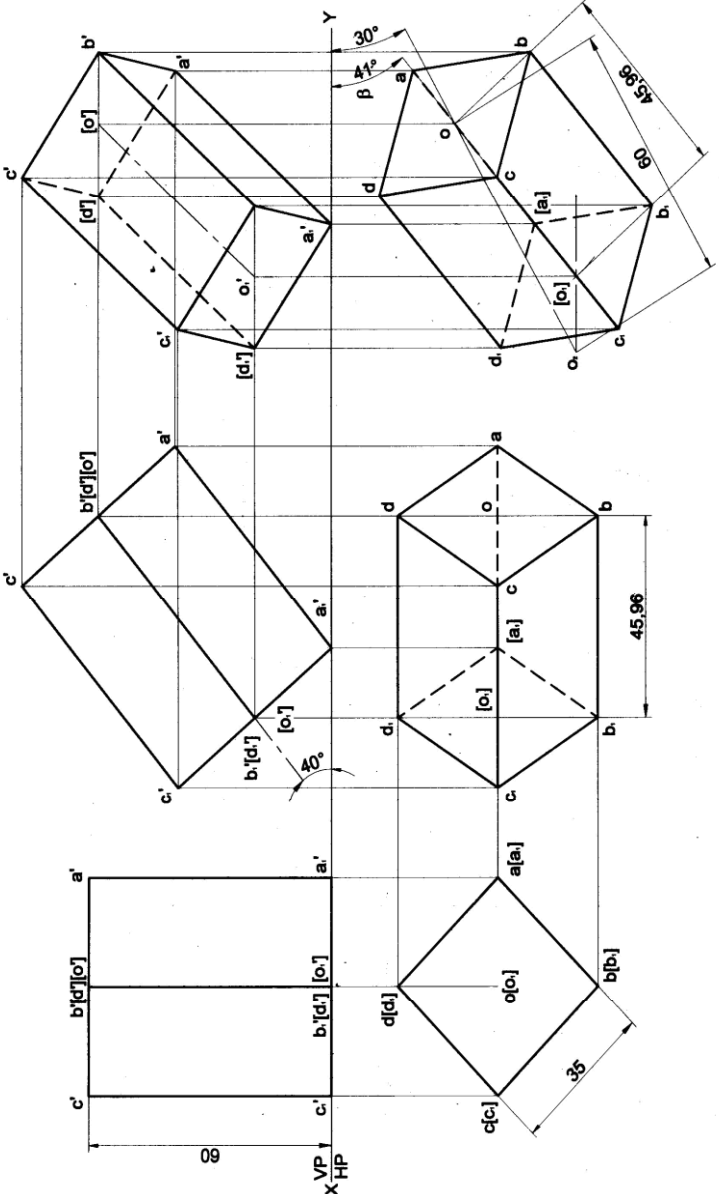


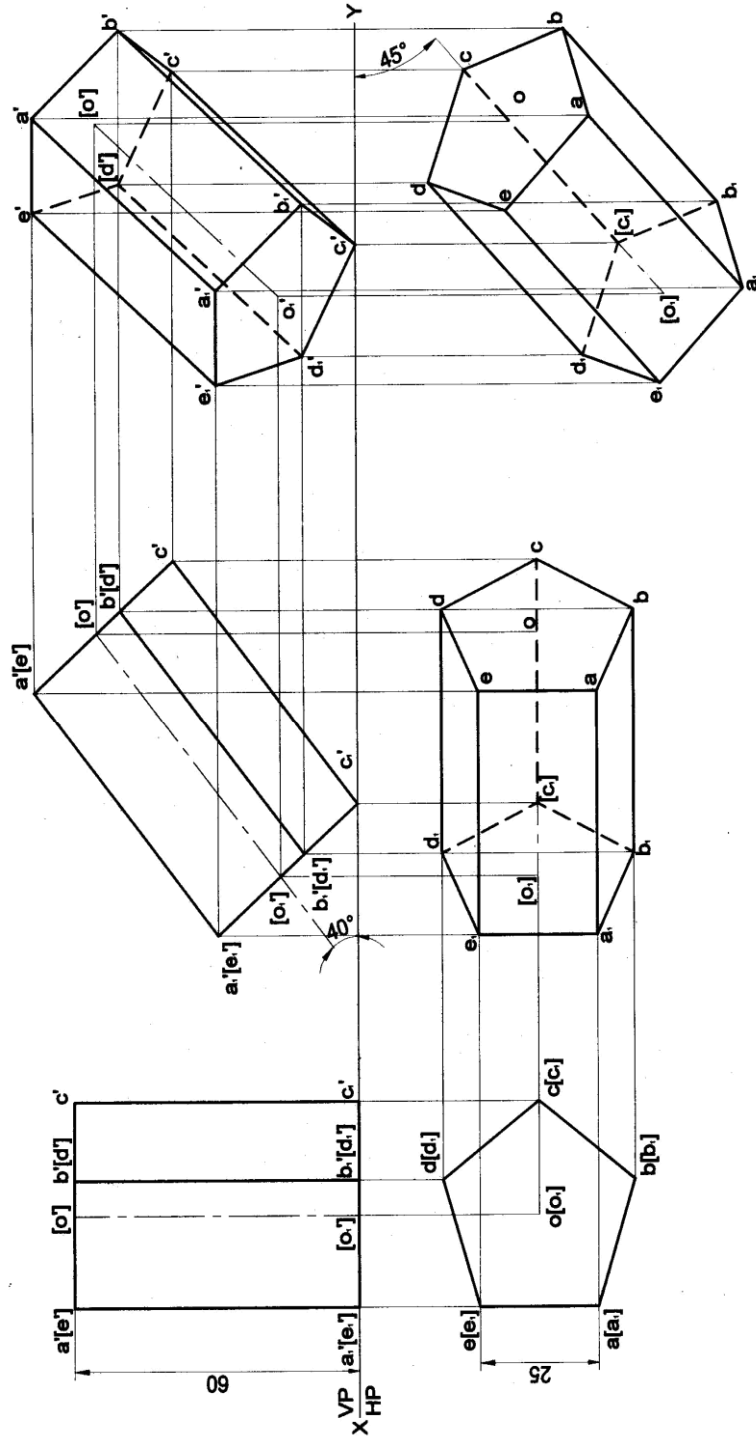
CIE-INTERNAL ASSESSMENT TEST 2		
Date : 05/04/2018		Marks: 60
Subject & Code: COMPUTER AIDED ENGINEERING DRAWING-17CED24		Sec : F
Name of faculty : Varun M		Time:8:00 – 9:30 am
Note: Answer TWO questions, selecting any ONE question from each part.		Marks
PART 1		
1	A hexagonal lamina of sides 25mm rests on one of its corners on HP. The corner opposite to the corner on which it rests is 35mm above HP and the diagonal passing through the corner on which it rests is inclined at 30° to VP. Draw its projections. Find the inclination of the surface with HP.	25 (10+15)
2	Draw the projections of a circular plate of negligible thickness of 50mm diameter resting on HP on a point A on the circumference, with its plane inclined at 45° to HP and top view of the diameter passing through the resting point makes 60° with VP.	25 (10+15)
PART 2		
3	A square prism 35 mm sides of base and 60 mm axis length rests on HP on one of its corners of base such that 2 base edges containing the corner on which it rests Make equal inclinations with HP. Draw its projections when axis of prism is inclined to HP at 40° and VP at 30°.	35 (25+10)
4	A pentagonal prism 25 mm sides of base and 50 mm axis length rests on HP on one of its corners of base such that 2 base edges containing the corner on which it rests make equal inclinations with HP. Draw its projections when axis of prism is inclined to HP at 40° and appears to be inclined to VP at 45°.	35 (25+10)

FACULTY: Varun M

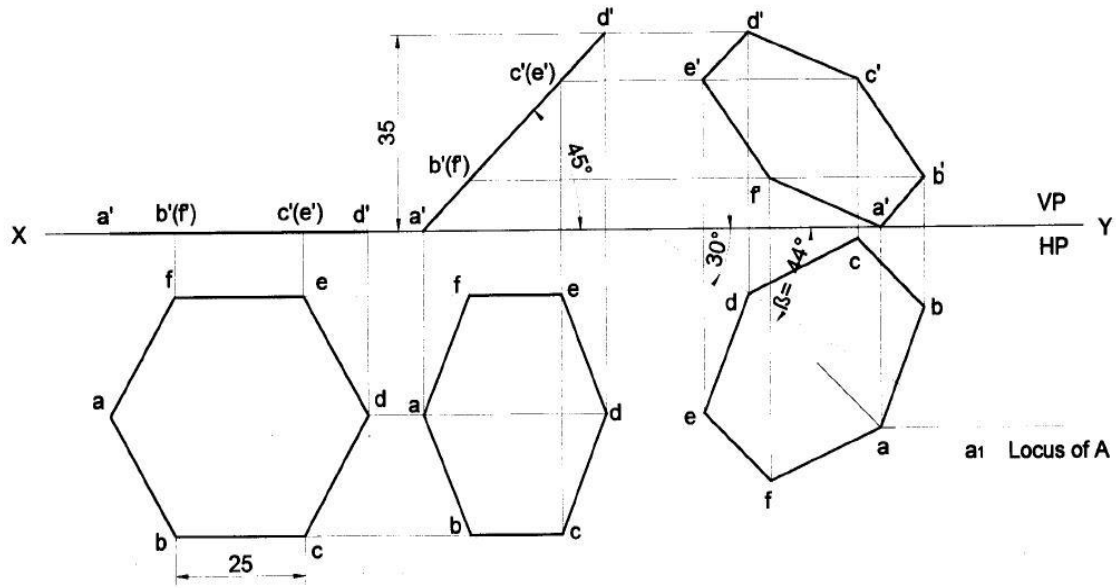
SUBJECT / CODE: COMPUTER AIDED ENGINEERING DRAWING– 17CED24

Q.NO		MARKS
1.		35 (25+10)

2.

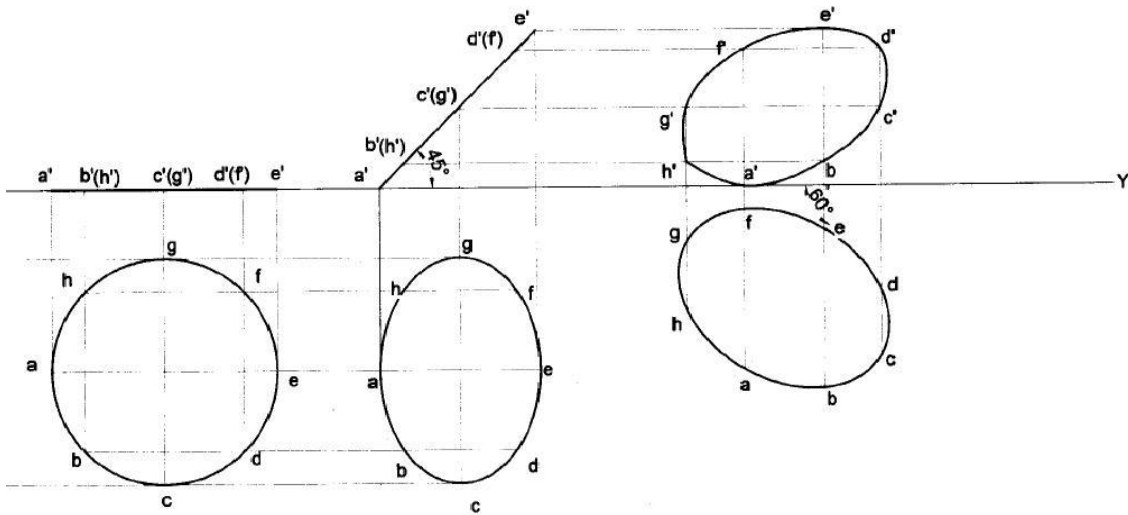


3.



25
(15+10)

4.



25
(15+10)
