

PESIT Bangalore South Campus

Hosur road, 1km before Electronic City, Bengaluru -100

Department of Basic Science and Humanities

INTERNAL ASSESSMENT TEST – 1

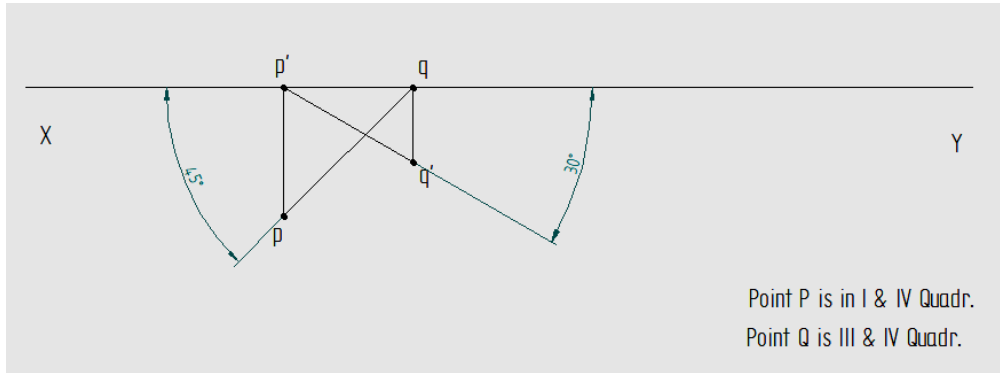
2nd Semester
J Section

| | | | |
|---------------------------|---|------------------|--------------|
| Date | : 28-02-2018 | Max Marks | : 60 |
| Subject & Code | : Computer Aided Engineering Drawing (15CED14/24) | Section | : J |
| Name of Faculty | : NARASIMHAN M MANOHAR | Duration | : 90 Minutes |

Note: Answer any two questions, selecting at least one questions from each part

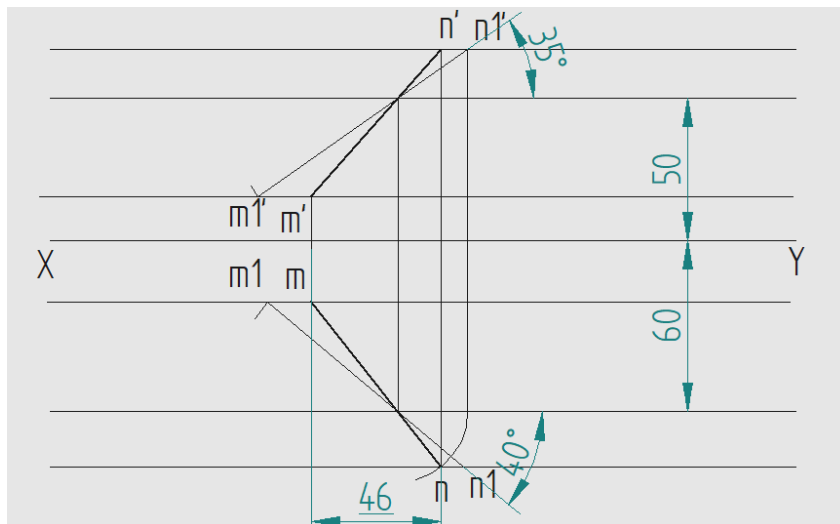
Part A (Sketching)

- 1 a A point P is on HP and 35 mm in front of VP. Another point Q is on VP and below HP. The line joining their front views makes an angle of 30 deg to XY line, while the line joining their top views makes an angle of 45 deg with XY line. Find the distance of the point Q from HP.



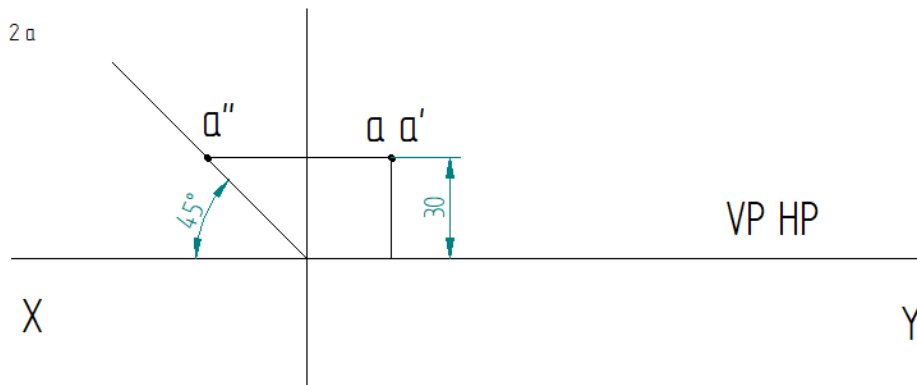
[10]

- b A line MN 90 mm long has a point P on it which divides the line in the ration 2:1, i.e. MP : PN=2:1. This point P is 50 mm above HP and 60 mm in front of VP. The line is inclined at 35o to HP and 40 o to VP. Draw the projection of the line. Find the distance between end projector and the position of the ends of the line with HP and VP.

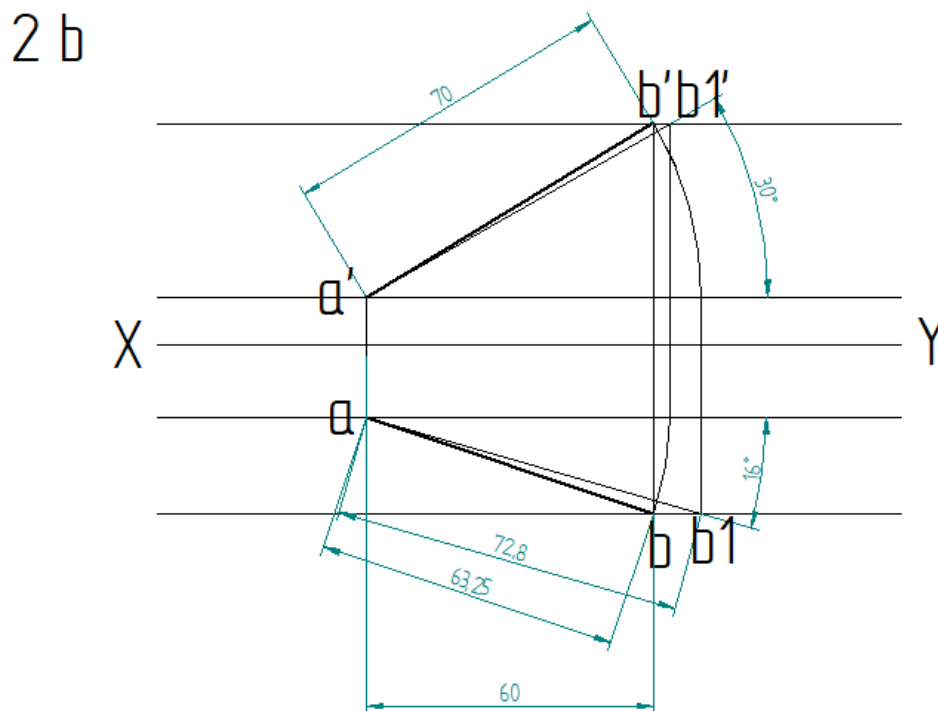


[20]

- 2 a A point is 30 mm behind VP, 30 mm above HP and 25 mm in front /behind /from LPP. Draw its projections and name the side view.

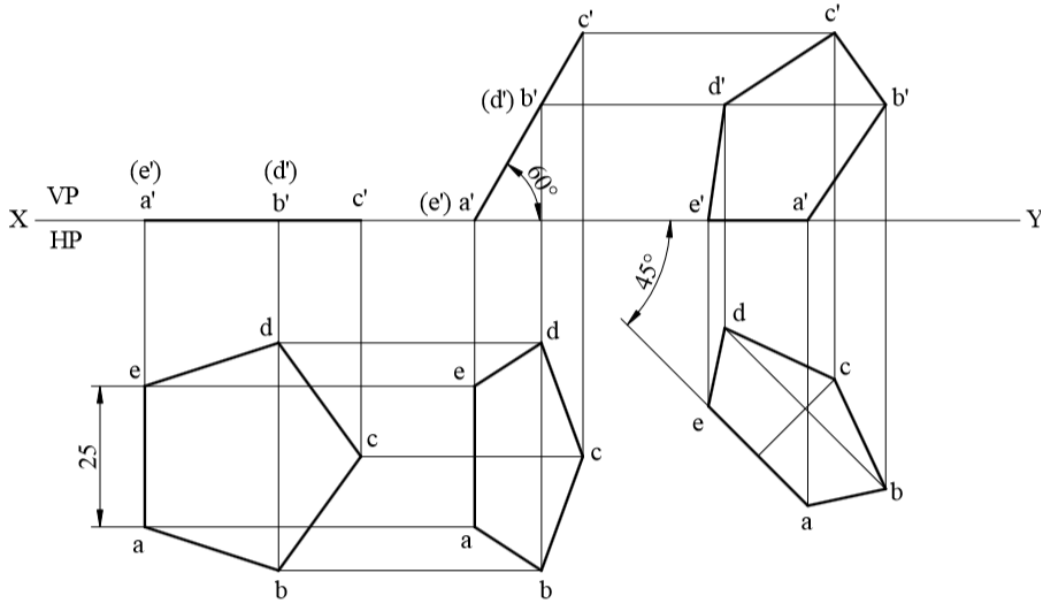


- b The distance between the end projections through the end points of a line AB is 60 mm. The end A is 10 mm above HP and 15 mm in front of VP. The end B is 35 mm in front of VP. The line AB appears 70 mm long in the front view. Complete the projections. Find the true length of the line and its inclinations with HP and VP.



Part B (Sketching and Drafting)

- 3 A pentagonal lamina of edges 25 mm is resting on HP with one of its sides such that the surface makes an angle of 60° with HP. The edge on which it rests is inclined at 45° to VP. Draw its projections. [30]



- 4 A hexagonal lamina of sides 25 mm rests on one of its corners on HP. The lamina makes 45° to HP and the diagonal passing through the corner on which it rests is inclined at 30° to VP. Draw its projections. [30]

