


USN	1	P	E						
	<b>PESIT Bangalore South Campus</b> Hosur Road (1km before Electronic City), Bengaluru -560 100 <b>Department of Basic Science and Humanities</b>								

<b>CONTINUOUS INTERNAL EVALUATION TEST -1</b>			
Date	: 28-02-18	Marks:	<b>60</b>
Subject & Code:	CAED & 17CED24	Section:	G
Name of faculty	: MAHAMMED QUYAM		
<b>Note: ANSWER ANY TWO FULL QUESTIONS</b>			
<b>1</b>	<b>a</b>	A point P is 25 mm above HP & 20 mm in front of VP. Point Q is on HP & 30 mm behind VP. Distance between their projectors measured parallel to line of intersection of VP and HP is 50 mm. Find the distance between top & front views of points P and Q.	<b>Marks</b>  <b>30</b> <b>(10+20)</b>
	<b>b</b>	A line AB 80mm long has its end A 20mm above the HP and 30mm in front of VP. It is inclined at 30° to HP and 45° to VP. Draw the projections of the line and find apparent lengths and apparent inclinations	
<b>2</b>		A 30° to 60° set square of 60mm longest side is so kept such that the longest side is in HP, making an angle of 30° with VP. The set square itself is inclined at 45° to HP. Draw the projections of the set square	<b>30</b> <b>(12+18)</b>
<b>3</b>		A rectangular lamina of 35mm*20mm rests on HP on one of its shorter edges. The lamina is rotated about the edge on which it rests till it appears as a square in the T.V. The edge on which the lamina rests being parallel to both HP & VP. Draw its projections & find inclinations to Hp & VP.	<b>30</b> <b>(12+18)</b>

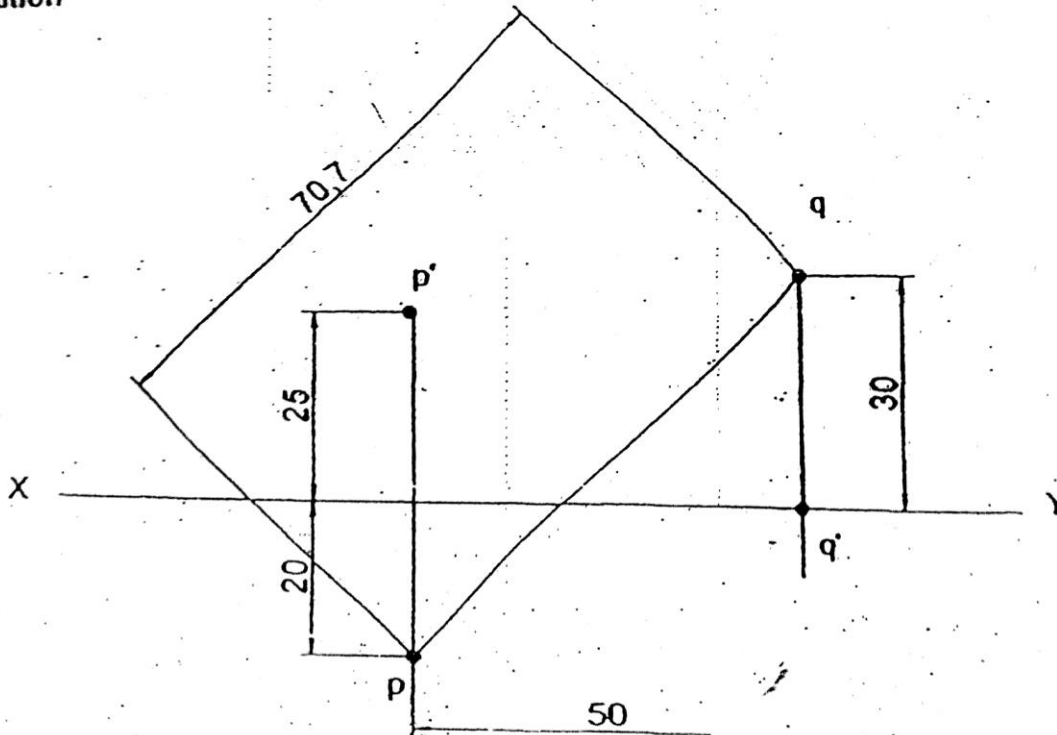


**PESIT Bangalore South Campus**  
Hosur Road (1km before Electronic City), Bengaluru -560 100  
Department of Basic Science and Humanities

**SCHEME & SOLUTION**

1 a

Answer



Distance Between TVs of P and Q is 70.7 m



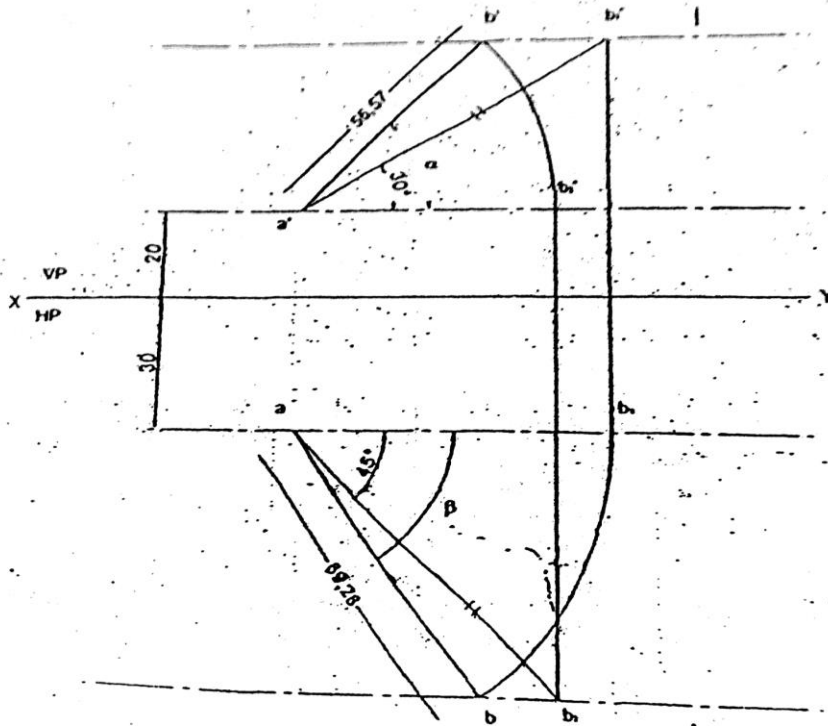
## PESIT Bangalore South Campus

Hosur Road (1km before Electronic City), Bengaluru -560 100

Department of Basic Science and Humanities

1 b

1



ANSWERS :

$$\beta = 55^\circ$$

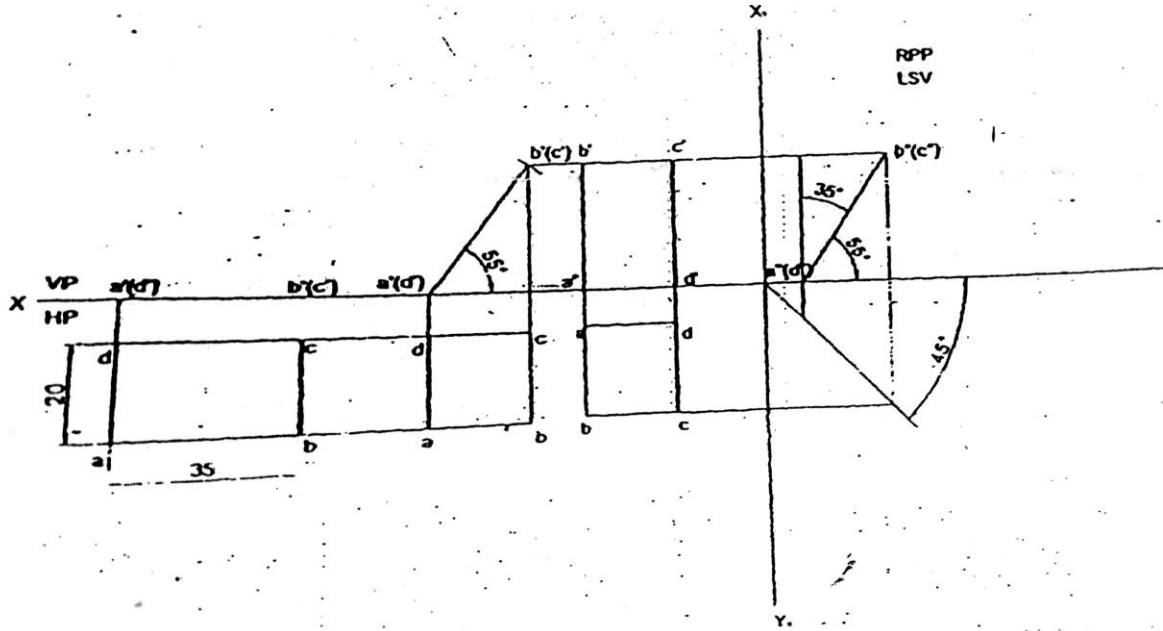
$$a'b' = 57$$

$$ab = 69$$



**PESIT Bangalore South Campus**  
 Hosur Road (1km before Electronic City), Bengaluru -560 100  
 Department of Basic Science and Humanities

2



3

