

PES INSTITUTE OF TECHNOLOGY BANGALORE – SOUTH CAMPUS
 Hosur Road, (1K.M. Before Electronic City), Bangalore – 560 100

SCHEME AND SOLUTION – I INTERNAL TEST

Subject : Computer Aided Engineering Drawing

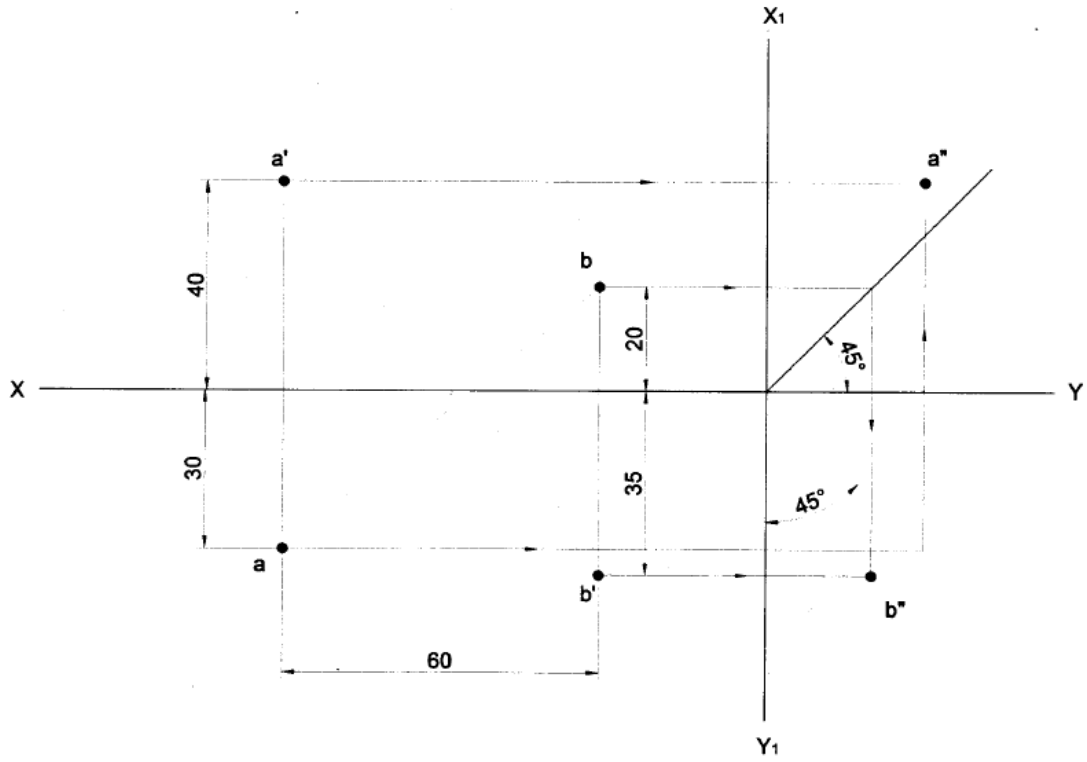
Semester: II

Sub. Code : 17CED24

Section: E

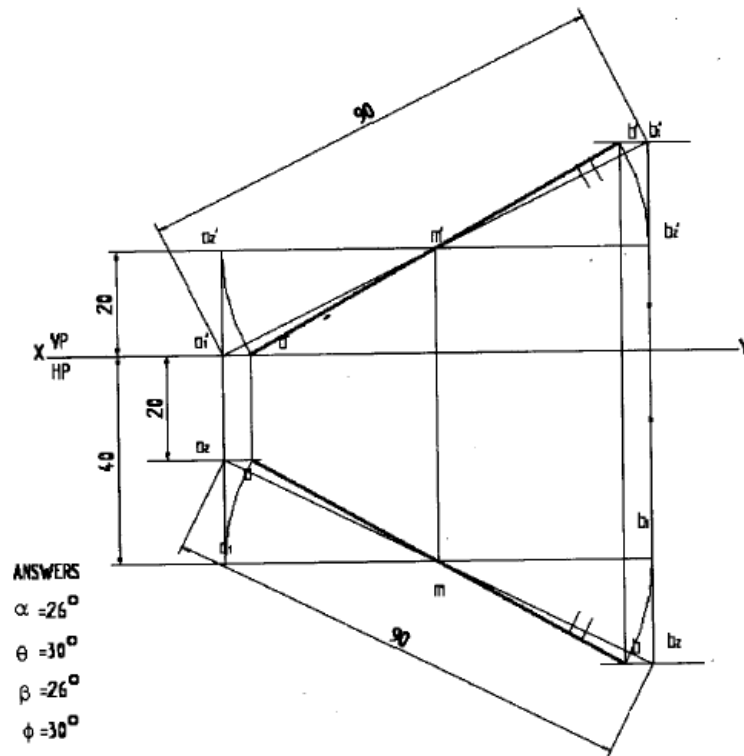
Name of the faculty : Megha Anand S A

2(a)



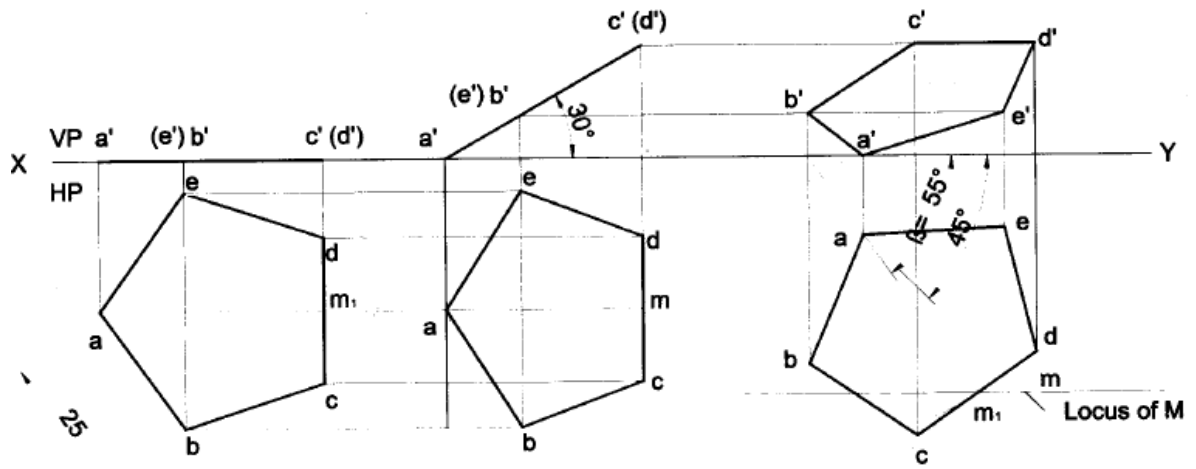
10

2(b)



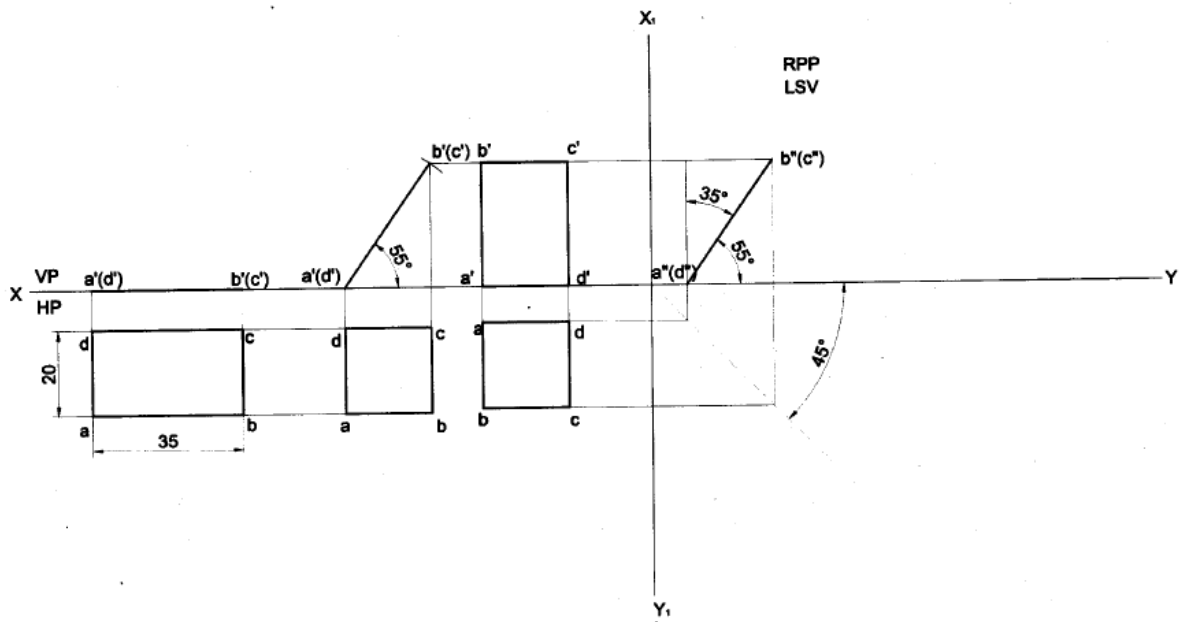
20

3(a)



30

3(b)



30